

# Charon HSD-L04/L05/L06

## Halfheight swing door



### PRINCIPLE

Halfheight swing door for automatic access control.

Mostly for public areas, e.g. super markets, train stations or airports, to support the control personnel. The efficient motordrive provides quick door movements, especially in case of double units.

Due to the slender construction and the attractive design it fits harmonically in any surrounding.

### FINISH

Stainless steel satin, grain 320

### CONSTRUCTION

#### Barrier element

Drive integrated in housing

L04: tubular bow Ø 27,

H x W = 400 x 850

L05: tubular bow Ø 27,

H x W = 140 x 850

L06: Polycarbonat with glass holders

- other barrier elements on demand

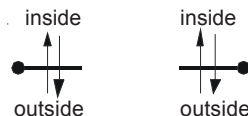
#### Passage width

Single unit: max. 900 mm

The units are not suitable for outdoor.

### FUNCTIONS

**Sense of rotation / passage side**  
both sides, variant adjusted on site



#### Access

Entry and exit electrically controlled

#### Drive

After a release the servo positioning drive turns the door wing automatically in passage direction.

Speed, hold open time and opening angle are adjustable.

#### Locking / unlocking

In home position the locking is open. It will lock only in case of unpermitted pushing.

Locking force higher than 120 Nm

#### Safety of persons

Low energy motor drive acc. to prEN 12650 and DIN V 18650 with light barrier elements.

Reliable unlocking, also under load.

#### In case of power failure

free in both directions

### ELECTRIC EQUIPMENT

#### Electrical data

Control unit ETS 21 integrated in the housing.

Power supply:

100-240 VAC, 50-60 Hz, 40 VA

Control voltage: 24 VDC

#### Control possibilities

Parameterisable inputs:

entry and exit (= standard)

Parameterisable outputs:

4 transistors and 5 relays for return signals, e.g. for traffic lights, ready, open, closed, etc.

#### Release

via a voltage-free normally open contact, e.g. pushbutton or card reader.

Card reader installation by others, e.g. in separate card reader post.

### INSTALLATION

Prepared for wall fastening

- self-supporting, floor fixing on FFL: static tube 120 x 80, stainless steel satin

### OPTIONS

- Operating panel OPL-05: release entry / exit / free / block / continuous release entry / exit
- card reader posts
- personal guiding bars

#### ○ optional

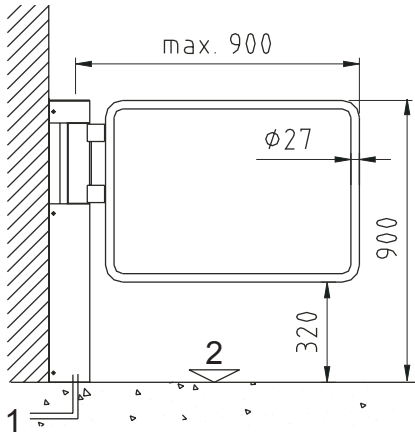
We reserve the right for technical modifications

# Charon HSD-L04/L05/L06

## Halfheight swing door

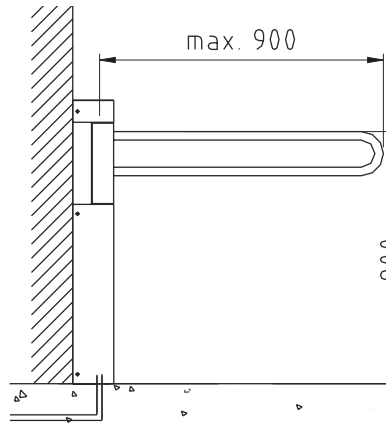
### VIEW HSD-L04

wall fastening, wing in stainless steel



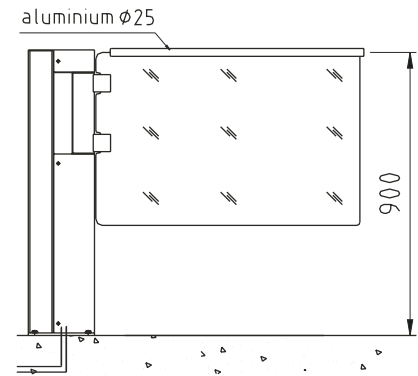
### VIEW HSD-L05

wall fastening, wing in stainless steel

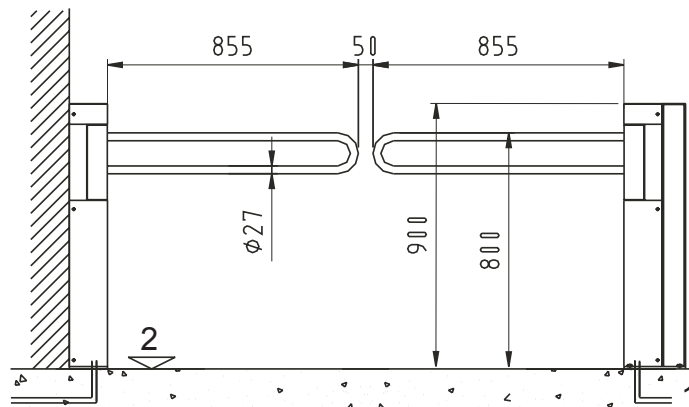


### VIEW HSD-L06

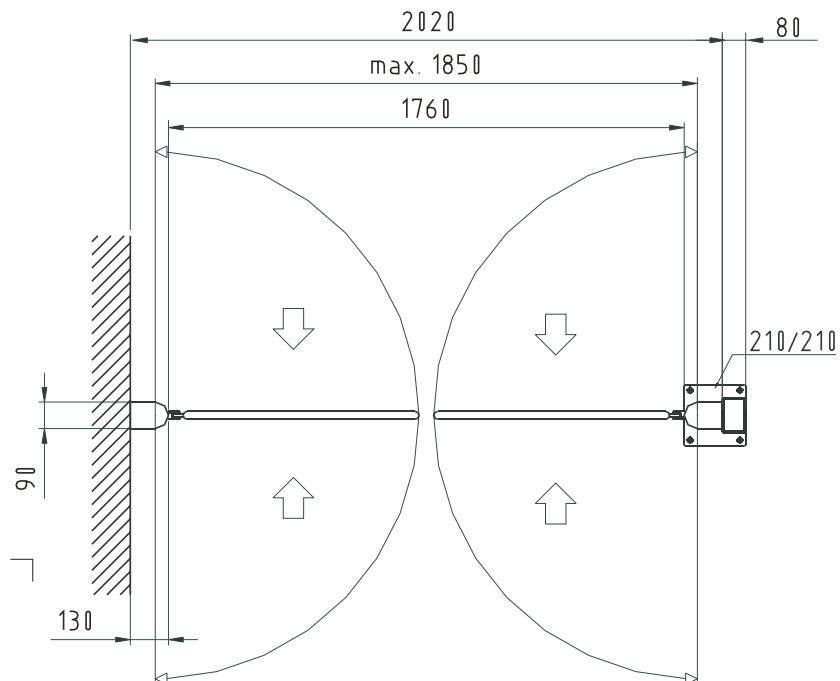
transparent, polycarbonate pane 12 mm, optional static tube



### VIEW wall fastening at the left, static tube at the right



### TOP VIEW



### Legend

- 1 = vacant pipe
- 2 = FFL finished floor level

### DIMENSIONS

all measures in mm

Sales partner:

○ optional

We reserve the right for technical modifications